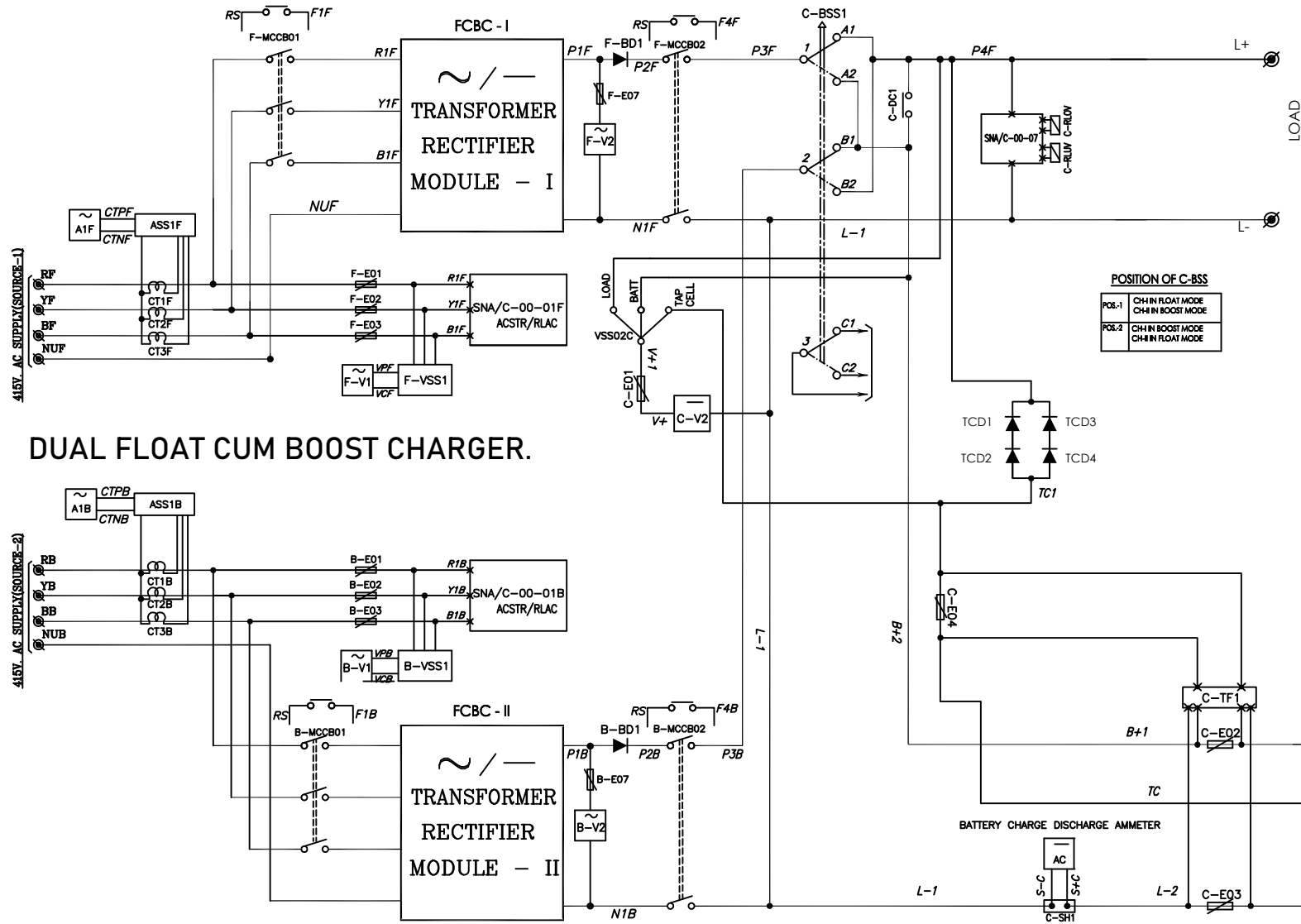


THIS DRAWING AND DESIGN IS PROPERTY OF LIVELINE ELECTRONICS AND MUST NOT BE COPIED OR LENT WITHOUT THERE PERMISSION IN WRITING

'F' STANDS FOR THE COMPONENTS OF CHARGER-I
'B' STANDS FOR THE COMPONENTS OF CHARGER-II
AND 'C' STANDS FOR COMMON ITEMS



DUAL FLOAT CUM BOOST CHARGER.

POSITION OF C-BSS

POS.1	CH IN FLOAT MODE
	CH IN BOOST MODE
POS.2	CH IN BOOST MODE
	CH IN FLOAT MODE

**THIS IS TENTATIVE SLD.
IT CAN BE CHANGED AS PER CUSTOMER REEQUIREMENT.**

'F' STANDS FOR THE COMPONENTS OF CHARGER - I
'B' STANDS FOR THE COMPONENTS OF CHARGER - II
AND 'C' STANDS FOR COMMON ITEMS

Title: - SCHEMATIC DIAGRAM OF THE PROPOSED CHARGER (AS PER TECH SPEC ATTACHED)

LIVELINE ELECTRONICS
10th Ramchandrapur, Sonarpur,
Kolkata-700103
Telephone: 033-64520115
-mail: info@livelineindia.com
www.livelineindia.com



DATE	Issue	Amendments/revision	Date	Name
Drn.	S. MANDAL	FOR PROPOSAL PURPOSE	13.07.18	S.GIRI
Chd.	S.GIRI			
App				

Client :
Drg.No : SLD-5 -18BCH

SCALE : NTS
PROJ.REF :
SHEET NO : 01
NO.OF SHEET : 01